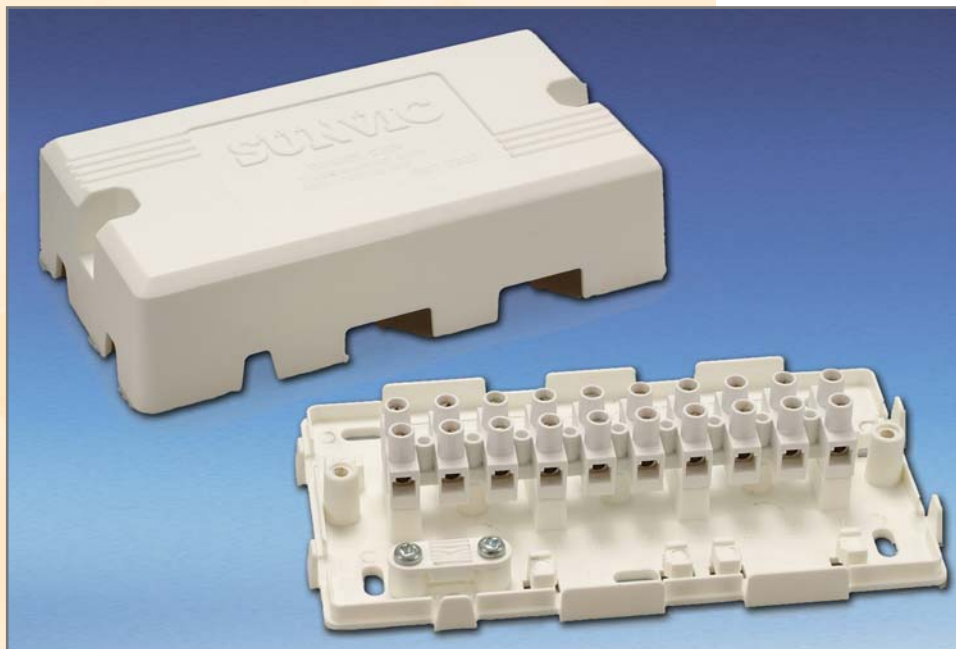


WIRING CENTRE - SWC2202

Product Specification and Wiring Details



KEY FEATURES

- Easy access, 10 way terminal block, 230 volt 10 Amp.
- Moulded in white high quality, flame retardant ABS.
- Knock-out cable entries giving above, below, left and right surface access.
- Rear knock-out cable entries for sub-surface access.
- Provision for easy cable clamping using cable ties.
- Moulded terminal numbers to aid wiring.

The Sunvic SWC2202 10 way wiring centre provides a compact yet easy access solution to all your wiring problems. Good clearance under the terminal block ensures straight forward easy to follow wiring.

For use with surface mounted fixed wiring or sub-surface rear entry. Only the cable entries actually required need be knocked out leaving a clean professional looking job with no unsightly and dangerous access holes.

The SWC 2202 is stylish too. Its clean sculpted appearance will compliment other controls used making even the most complicated wiring installations look professional.

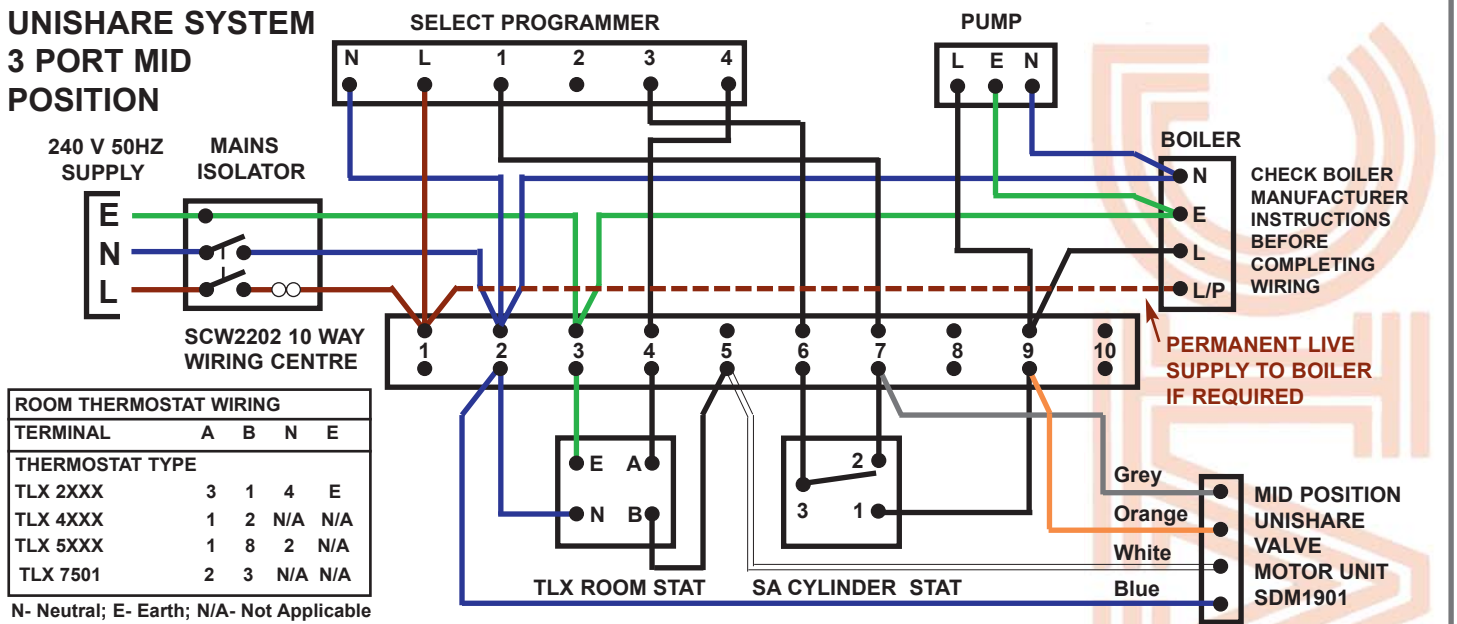


SUNVIC
CONTROLS
01698 812944
WWW.SUNVIC.CO.UK

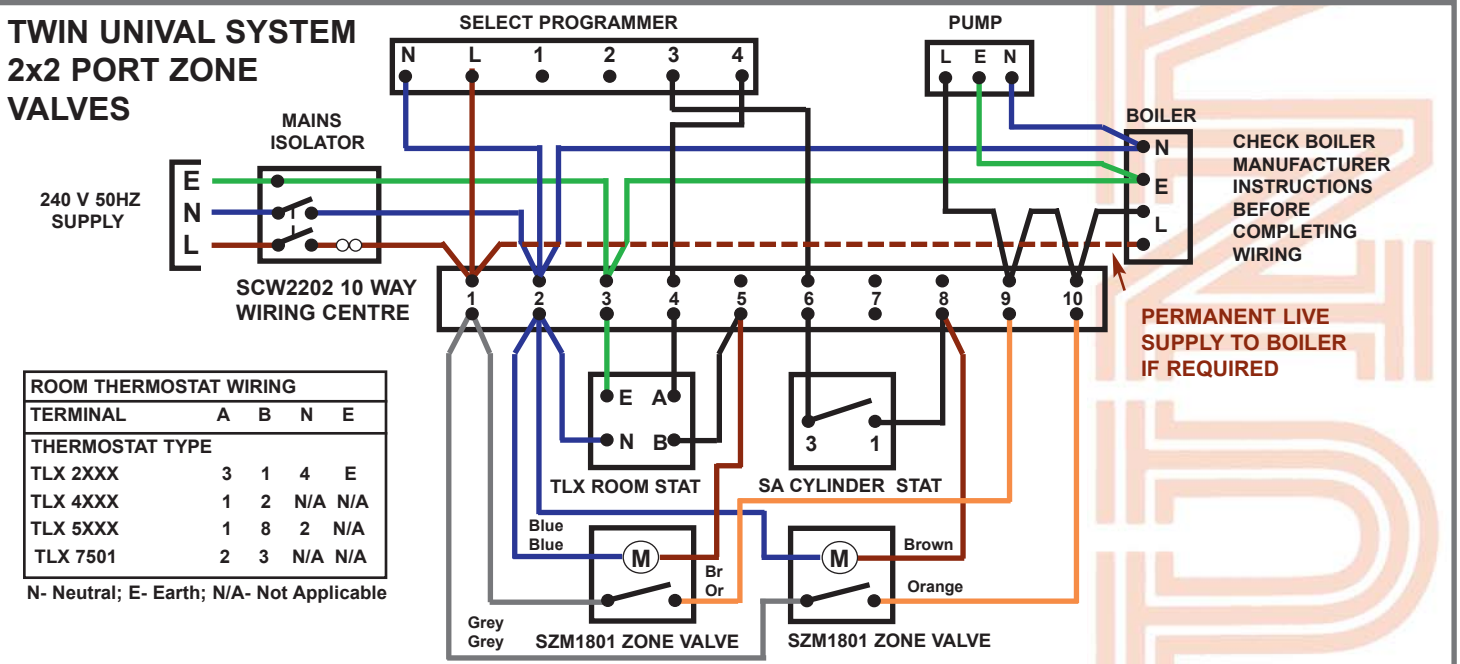
WIRING CENTRE - SWC2202

WIRING GUIDE

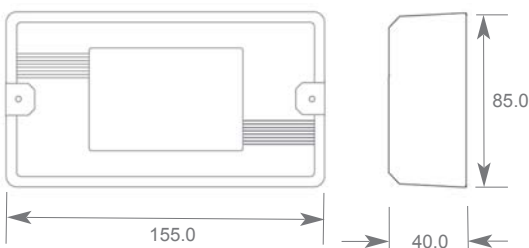
UNISHARE SYSTEM 3 PORT MID POSITION



TWIN UNIVAL SYSTEM 2x2 PORT ZONE VALVES



DIMENSIONS



SPECIFICATION

Power Rating: 240V AC 50Hz, 10Amps
 Ambient Temp: 0-40°C
 Wiring Type: Suitable for fixed wiring
 Plastic: Flame retardant ABS
 Cable entry: Top, bottom, left or right and rear entry.
 Surface: 5 double, 4 single.
 Sub-surface: 2 triple.



SUNVIC
CONTROLS
 01698 812944
 WWW.SUNVIC.CO.UK

SUNVIC CONTROLS LTD,
 Bellshill Road, Uddingston, Glasgow G71 6NP, Scotland
 Tel: +44 01698 812944 Fax: +44 01698 813637 email: sales@sunvic.co.uk
 Technical Helpline 01698 810 945